

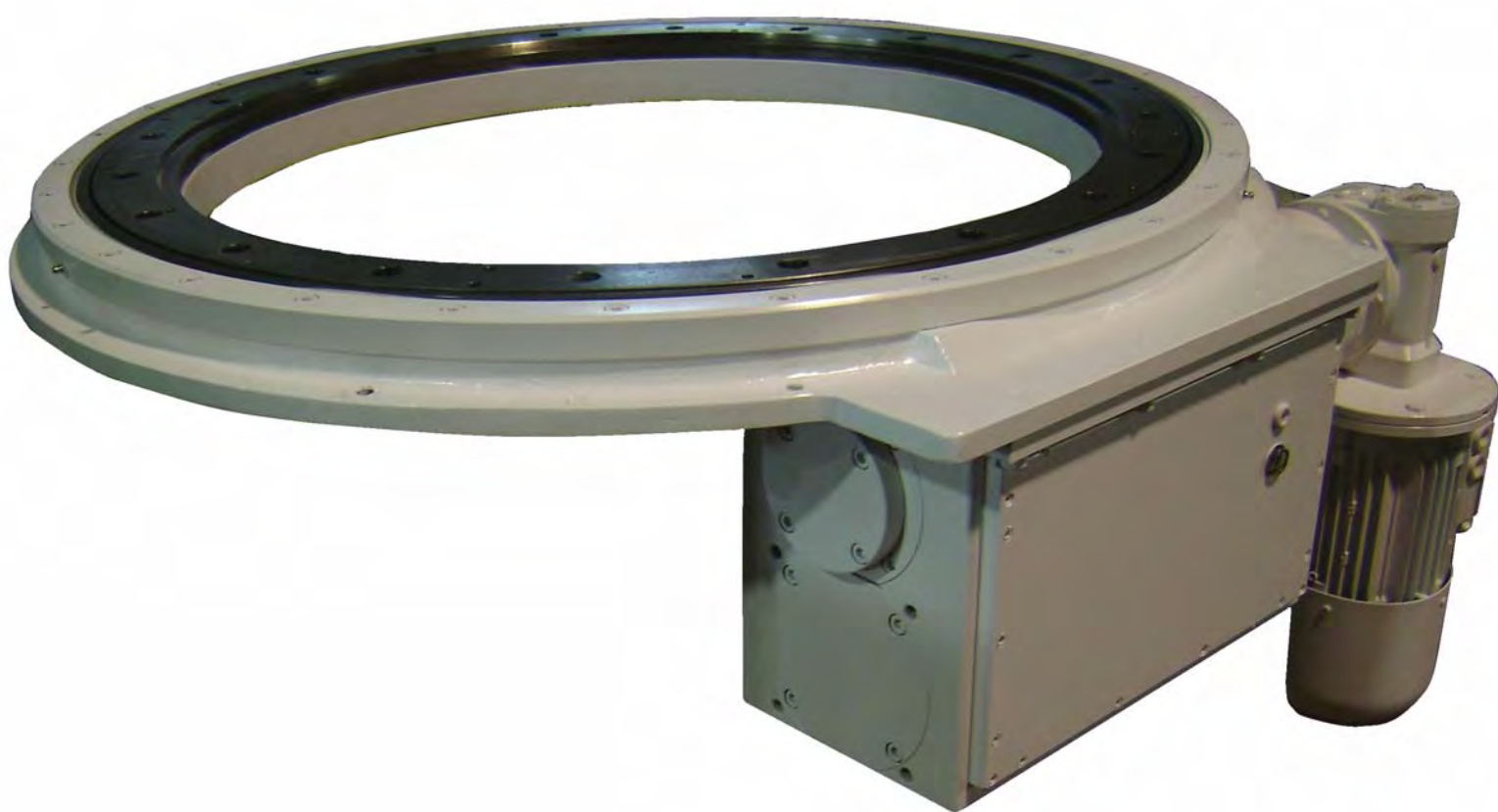
I

ITALPLANT

transfer systems



TI



Teste a dividere toroidali

# TI

CATALOGUE SEPTEMBER 2009



## SPARE PARTS

To meet every need to get spare parts, please contact our commercial office.

In case of order, please always specify:

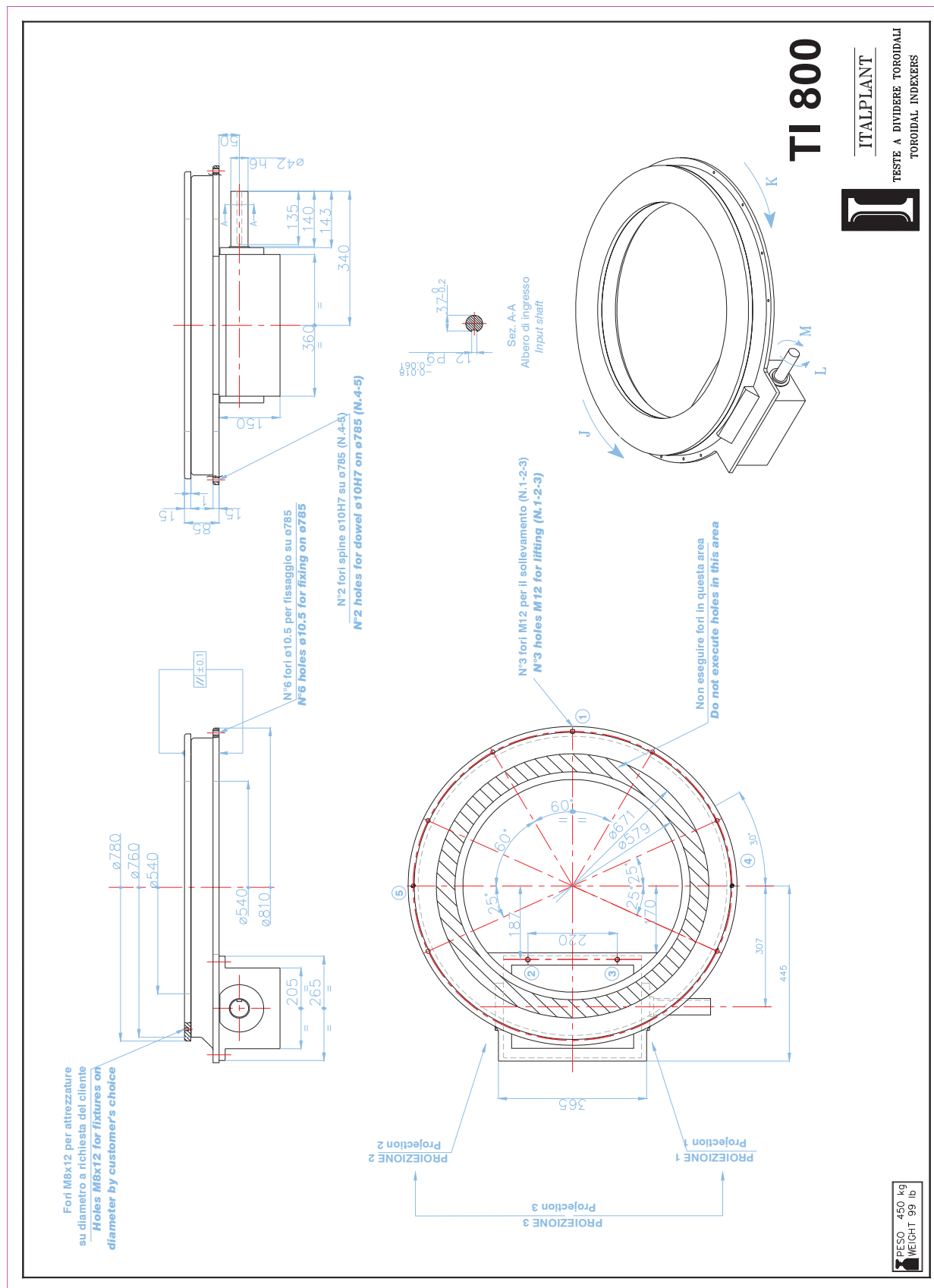
1. registration number (on the label)
2. serial number (6-7 digits)
3. model (on the label)
4. number and date of the order

## ORDERING PROCEDURE

The following ordering procedure is intended only as a general guideline for the minimum information required when ordering a conveyor, as soon as the design phase becomes to an end. Options and adjustments can be ordered up to the beginning of manufacturing by us.

- Dial plate diameter ( if existing upon our indexer dial plate)
- Payload weight
- Pitch radius of payloads
- Working forces
- Friction or external resistance torques
- Index time
- Dwell time
- Cyc/min

# TI STANDARD MODELS



# ITALPLANT TOROIDAL INDEXERS SERIES TI

**Fori M10x15 per attrezzature su diametro a richiesta del cliente  
Holes M10x15 for fixtures on diameter by customer's choice**

**N°6 fori  $\phi 12.5$  per fissaggio su  $\phi 1130$   
N°6 holes  $\phi 12.5$  for fixing su  $\phi 1130$**

**N°2 fori spine  $\phi 12H7$  su  $\phi 1130$  (N.4-5)  
N°2 holes for dowel  $\phi 12H7$  on  $\phi 1130$  (N.4-5)**

**N°3 fori M12 per il sollevamento (N.1-2-3)  
N°3 holes M12 for lifting (N.1-2-3)**

**Sez. A-A  
Albero di ingresso  
Input shaft**

**Non eseguire fori in questa zona  
Do not execute holes in this area**

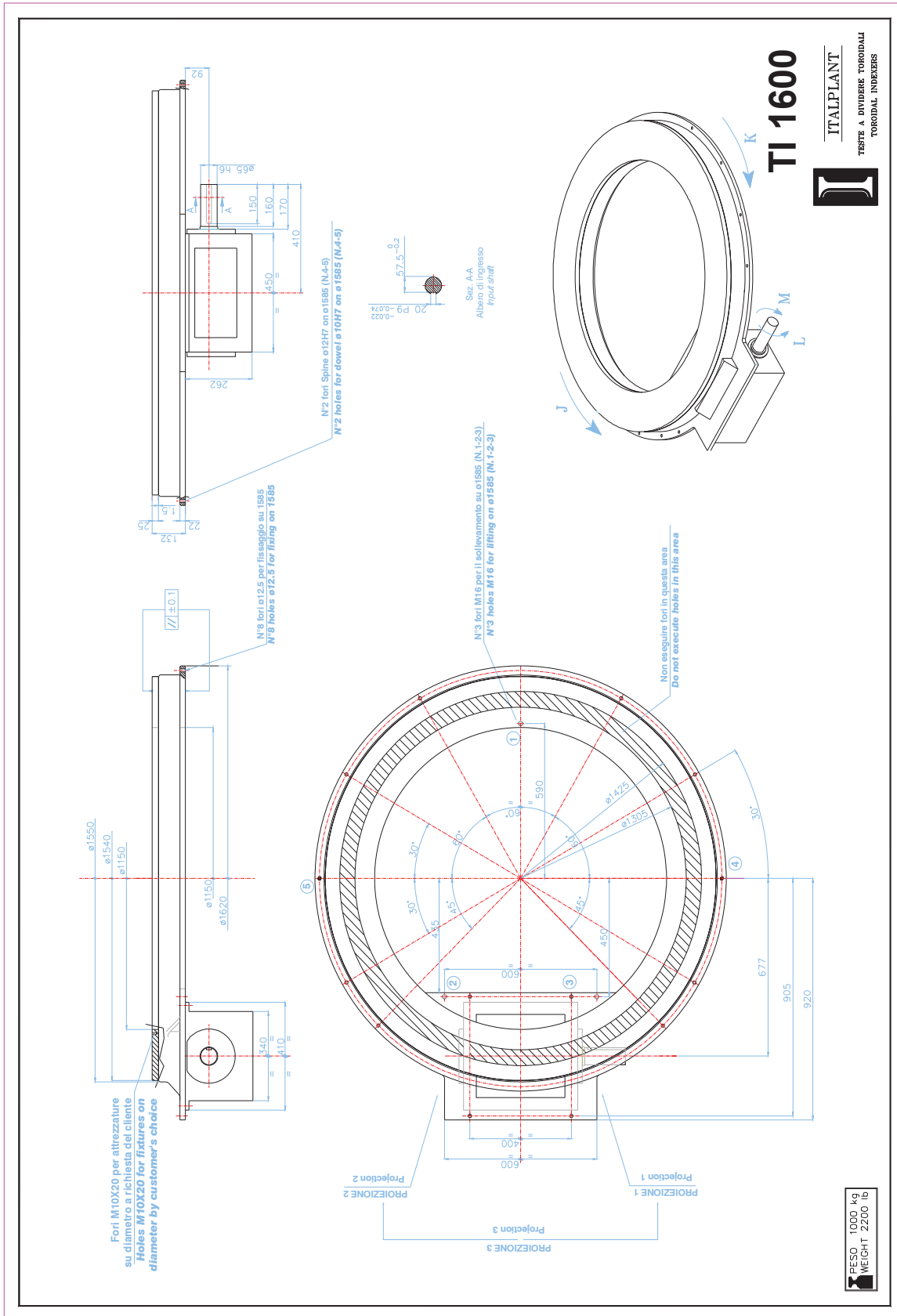
**TI 1200**

**ITALPLANT**  
TESTE A DIVIDERE TOROIDALI  
TOROIDAL INDEXERS

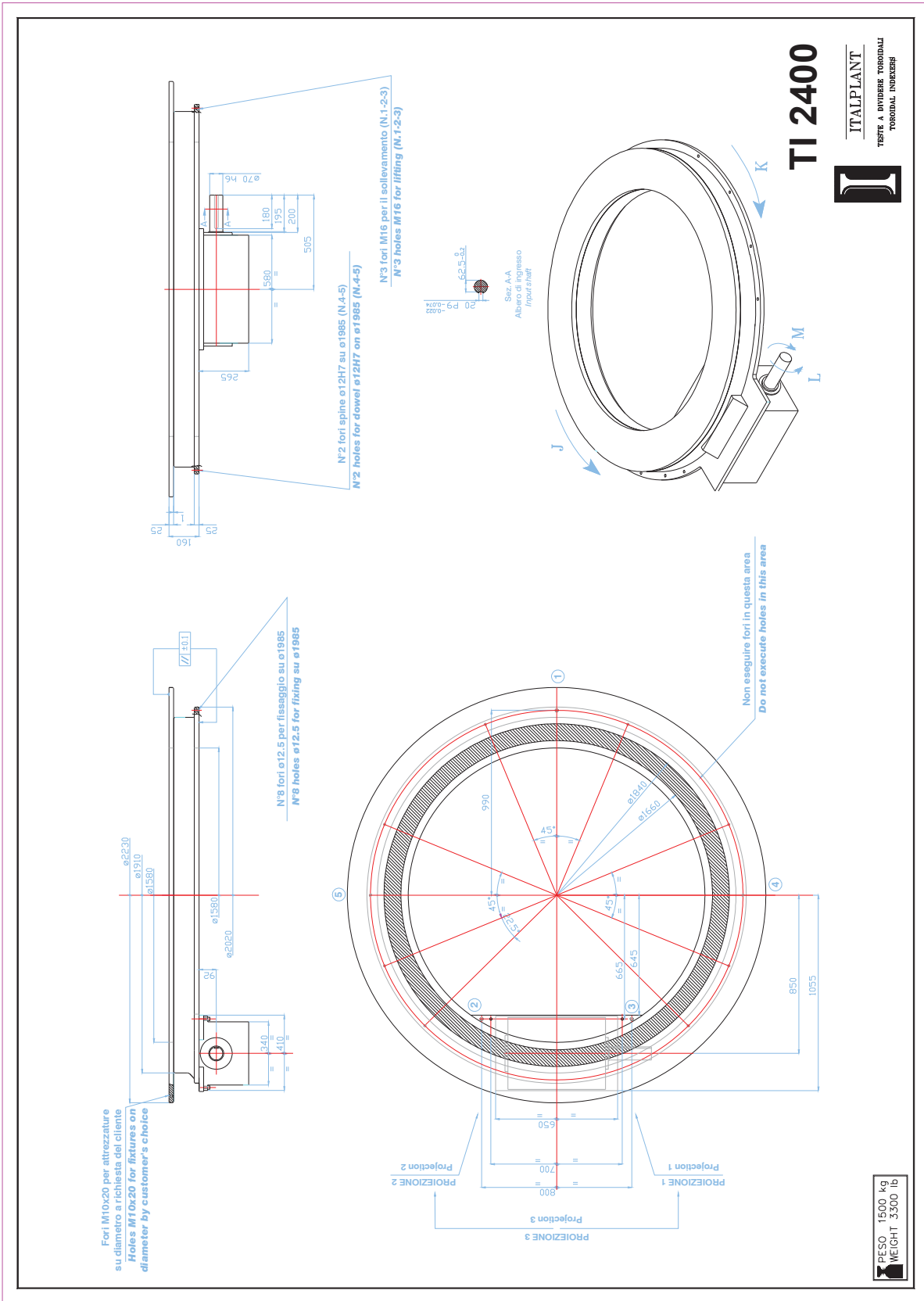
**PESO 600 kg  
WEIGHT 1320 lb**



# ITALPLANT TOROIDAL INDEXERS SERIES TI



# ITALPLANT TOROIDAL INDEXERS SERIES TI

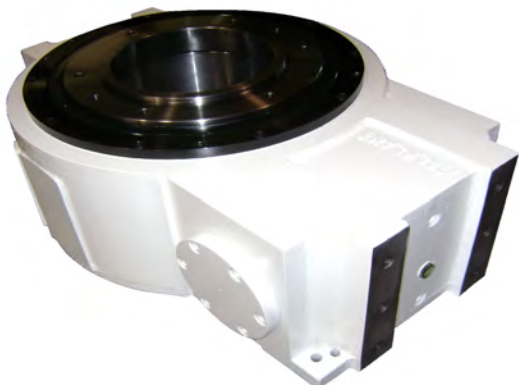








**ITALPLANT DISTRIBUTORS IN THE WORLD – DISTRIBUTORI ITALPLANT NEL MONDO**  
**ITALPLANT VERTRETERN IN DER WELT – ITALPLANT DISTRIBUTEURS DANS LE MONDE**



**GLOBOIDALCAM INDEXING UNITS HIGH SPEED 1000 RPM**  
*TESTE A DIVIDERE A CAMMA GLOIBOIALE  
AD ALTA VELOCITA' 1000 C/1'*



**ADJUSTABLE TRANSMISSION TORQUE (ATT) WITH  
SAFETY OUTPUT TORQUE LIMITER (SOTL)**  
*INTERMITTORI CON REGOLAZIONE DELLA COPPIA TRASMESSA  
E LIMITATORE DI COPPIA DI SICUREZZA IN USCITA*



**PRECISION LINK CARRIERS**  
*TRASPORTATORI A PASSO DI PRECISIONE*



**HIGH SPEED TOROIDAL INDEXERS**  
*TESTE A DIVIDERE TOROIDALI AD ALTA VELOCITA'*

**PLEASE CONTACT OUR TECHNICAL OFFICE FOR FURTHER INFORMATION**  
**CONTATTA IL NOSTRO UFFICIO TECNICO PER ULTERIORI INFORMAZIONI**



Via Gonin, 45/A, 45/B - 10137 Torino (Italy)  
Tel. + 39.011.30.92.177 - 30.99.485 - Fax + 39.011.30.95.080  
www.italplant.com - e-mail: info@italplant.com